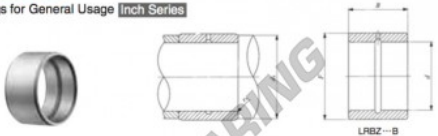


Anel interno LRBZ61016-B-IKO - LRBZ61016-B-IKO

<https://www.123rolamento.pt/rolamento-mancal/rolamento-agulhas/anel-interno/lrbz61016-b-iko>

IKO
INNER RINGS
Inner Rings for General Usage Inch Series



Shaft dia. mm (inch)	Identification number		Mass (Ref.) g	Boundary dimensions mm(inch)			Standard mounting dimensions mm ^(*)		
				d	F	B	Min.	Max.	r_{as} max.
9.525 ($\frac{3}{8}$)	—	LRBZ 61016 B	25	9.525 $\gamma_{\frac{1}{2}}$	15.875 $\gamma_{\frac{1}{2}}$	25.650	14	14.5	0.6

Assembled bearings

BR 101816UU

Notes(*) Maximum allowable fillet corner radius of shaft
Remark: LRBZ has no oil hole. LRB and LRBZ - B are provided with an oil groove and an oil hole.

CARACTERÍSTICAS DO PRODUTO

Marca	IKO
Nº Ean13	3663952420288
Diâmetro interior	9.525 mm
Diâmetro exterior	15.875 mm
Espessura	25.65 mm
Embalagem	1

contato@123rolamento.pt

CRT4 de Lesquin 60 Rue Du Haut De Sainghin 59273 Fretin FRANCE