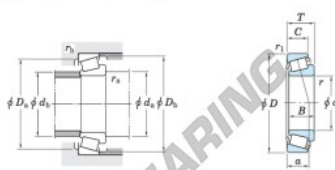


## Rolamento cónico 16137-16284-JTEKT - 16137-16284-JTEKT

<https://www.123rolamento.pt/rolamento-mancal/rolamento-rolos/conico/16137-16284-jtekt>

Single-row tapered roller bearings  
inch series



Koyo

Boundary dimensions (mm)							Basic load ratings (kN)		Limiting speeds (min <sup>-1</sup> )	
<i>d</i>	<i>D</i>	<i>T</i>	<i>B</i>	<i>C</i>	<i>r<sub>a</sub></i>	<i>r<sub>b</sub></i>	<i>C<sub>r</sub></i>	<i>C<sub>0r</sub></i>	Grease lub.	Oil lub.
34.925	72.238	20.638	20.638	19.875	3.6	1.2	49.7	61.3	5 600	7 400

Bearing No.		Load center (mm) <i>a</i>	Mounting dimensions (mm)						Constant <i>e</i>	Axial load factors		(Refer.) Mass (kg)	
Inner ring	Outer ring		<i>d<sub>a</sub></i>	<i>d<sub>b</sub></i>	<i>D<sub>a</sub></i>	<i>D<sub>b</sub></i>	<i>r<sub>a</sub></i> max.	<i>r<sub>b</sub></i> max.		<i>Y<sub>1</sub></i>	<i>Y<sub>2</sub></i>	Inner ring	Outer ring
16137	16284	16.6	46.5	40.5	63.0	67.0	3.6	1.2	0.40	1.49	0.82	0.236	0.144

### CARACTERÍSTICAS DO PRODUTO

Marca	JTEKT
N° Ean13	3663952426310
Diâmetro interior	34.925 mm
Diâmetro exterior	72.238 mm
Espessura	20.638 mm
Embalagem	1

[contato@123rolamento.pt](mailto:contato@123rolamento.pt)

CRT4 de Lesquin 60 Rue Du Haut De Sainghin 59273 Fretin FRANCE