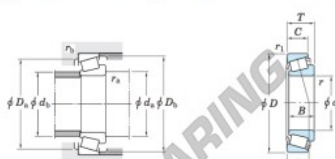


Rolamento cónico 342-332-JTEKT - 342-332-JTEKT

<https://www.123rolamento.pt/rolamento-manca/rolamento-rolos/conico/342-332-jtekt>

Single-row tapered roller bearings — Koyo
inch series



Boundary dimensions (mm)							Basic load ratings (kN)		Limiting speeds (min ⁻¹)	
<i>d</i>	<i>D</i>	<i>T</i>	<i>B</i>	<i>C</i>	<i>r_a</i>	<i>r₁</i>	<i>C_r</i>	<i>C₁₀</i>	Grease lub.	Oil lub.
41.275	80.000	21.000	22.400	17.826	3.6	1.2	88.0	74.8	4 900	6 600

Bearing No.		Load center (mm) <i>a</i>	Mounting dimensions (mm)						Constant <i>e</i>	Axial load factors		(Refer.) Mass (kg)	
Inner ring	Outer ring		<i>d_a</i>	<i>d_b</i>	<i>D_a</i>	<i>D_b</i>	<i>r_a</i> max.	<i>r_b</i> max.		<i>Y₁</i>	<i>Y₂</i>	Inner ring	Outer ring
342	332	15.1	53.0	46.0	73.0	75.0	3.6	1.2	0.27	2.20	1.21	0.317	0.144

CARACTERÍSTICAS DO PRODUTO

Marca	JTEKT
Nº Ean13	3663952426839
Diâmetro interior	41.275 mm
Diâmetro exterior	80 mm
Espessura	21 mm
Embalagem	1

contato@123rolamento.pt

CRT4 de Lesquin 60 Rue Du Haut De Sainghin 59273 Fretin FRANCE