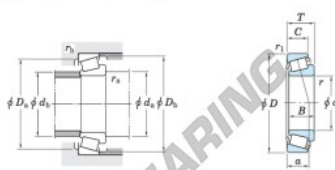


Rolamento cónico 71455-71750-JTEKT - 71455-71750-JTEKT

<https://www.123rolamento.pt/rolamento-mancal/rolamento-rolos/conico/71455-71750-jtekt>

Single-row tapered roller bearings
inch series

Koyo



Boundary dimensions (mm)							Basic load ratings (kN)		Limiting speeds (min ⁻¹)	
<i>d</i>	<i>D</i>	<i>T</i>	<i>B</i>	<i>C</i>	<i>r_a</i> max.	<i>r_b</i> max.	<i>C_r</i>	<i>C₁₀</i>	Grease lub.	Oil lub.
115.087	190.500	47.625	49.212	34.925	7.9	3.2	303	483	1 900	2 600

Bearing No.		Load center (mm) <i>a</i>	Mounting dimensions (mm)						Constant <i>e</i>	Axial load factors		(Refer.) Mass (kg) Inner ring Outer ring	
Inner ring	Outer ring		<i>d_a</i>	<i>d_b</i>	<i>D_a</i>	<i>D_b</i>	<i>r_a</i> max.	<i>r_b</i> max.		<i>Y₁</i>	<i>Y₂</i>		
71455	71750	40.9	136.0	131.0	167.0	177.0	7.9	3.2	0.42	1.44	0.79	3.25	1.72

CARACTERÍSTICAS DO PRODUTO

Marca	JTEKT
Nº Ean13	3663952430430
Diâmetro interior	115.087 mm
Diâmetro interior	4 17/32" inch
Diâmetro exterior	190.5 mm
Diâmetro exterior	7 1/2" inch
Espessura	47.625 mm
Espessura	1 7/8" inch
Embalagem	1

contato@123rolamento.pt

CRT4 de Lesquin 60 Rue Du Haut De Sainghin 59273 Fretin FRANCE